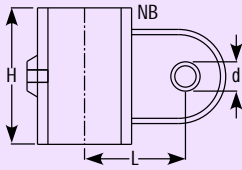


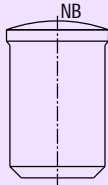
STRUCTURE FITTINGS - SUPPORT



Cat.Ref.	NB	h	L	d
SPT15*	15	40	35	13
SPT25*	25	55	50	13
SPT30*	30	55	57	13
SPT40	40	55	62	13
SPT50	50	55	67	13

STRUCTURE FITTINGS - PLUGS

These are used to plug the open ends of galvanised tubes.



Cat. Ref.	NB
PLUG15	15
PLUG25	25
PLUG30	30
PLUG40	40
PLUG59	50

STRUCTURE FITTINGS - STUDS

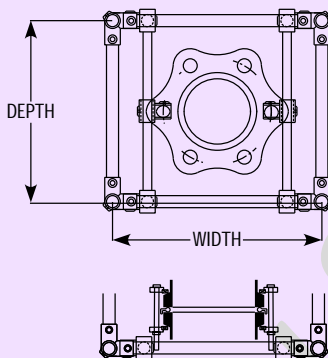
These are used as screwed rods with supports



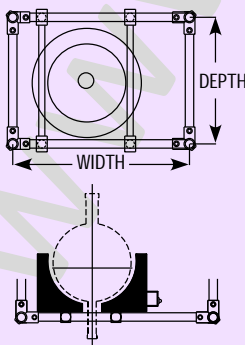
Cat. Ref.	d	L
STUD5/16-150	5/16"	150
STUD3/8-150	3/8"	150
STUD1/2-200	1/2"	200

STRUCTURE DIMENSIONS

FOR COLUMNS



DN	Recommended tube size NB (mm)	Minimum Structure size Depth X Width
80	25	500 x 500
100	25	500 x 500
150	25,30	600 x 600
225	30	800 x 800
300	30	800 x 800
400	30	1000 x 1000
450	30,40	1000 x 1000
600	40,50	1200 x 1200



FOR VESSELS (IN HEATING MENTLES)

Size (Litres)	Recommended tube size NB (mm)	Minimum Structure size Depth X Width
20	25	400 x 600
50	25	600 x 800
100	25,30	800 x 800
200	30	800 x 1000

* marked items are available fast.