

VALVES

A wide variety of valves are described in this section. All the valves are made of Borosilicate Glass body & PTFE plug so that process fluid just comes in contact with Glass & PTFE only. Borosilicate Glass body permits the visual checking of the operation.

All the valves are suitable for operation under full vacuum conditions & a maximum temperature of 200°C.

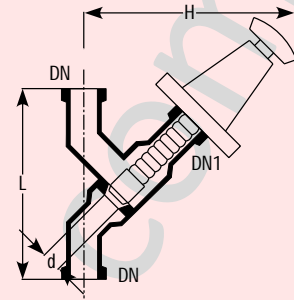
Borosilicate Valves are available from DN 15 to DN 50. Bigger size valves are available on request.

VALVES

STRAIGHT THROUGH VALVES

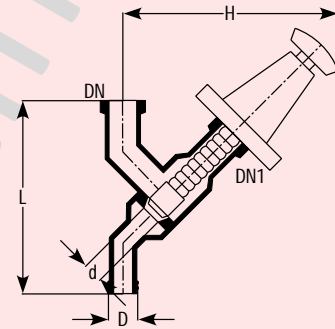
Cat.Ref.	DN	DN1	d	L	H
PV0.7	15	15	10	125	125
PV1	25	25	18	175	175
PV1.5/1	40	25	18	225	175
PV1.5	40	40	26	225	200
PV2	50	50	38	300	220

Spindles are made of PTFE.



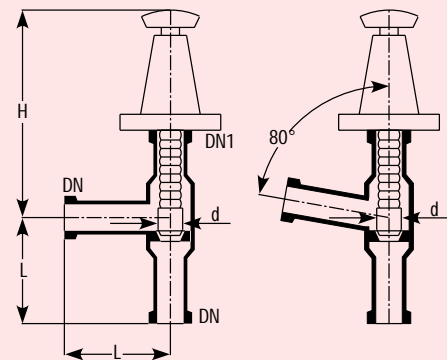
DRAIN VALVES

Cat.Ref.	DN	DN1	d	L	H	D
PVD0.7	15	15	10	125	125	15
PVD1	25	25	18	175	175	28
PVD1.5/1	40	25	18	225	175	28
PVD1.5	40	40	26	225	200	42
PVD2	50	50	38	300	220	50



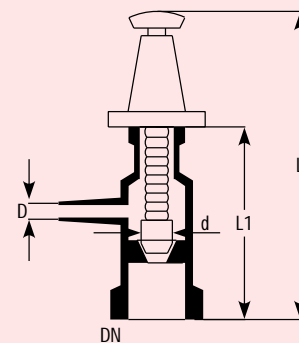
ANGLE VALVES

Cat.Ref.	DN	DN1	d	L	H	Degree
PVE0.7	15	15	10	50	85	90
PVE1	25	25	18	100	175	90
PVE1/80	25	25	18	100	175	80
PVE1.5	40	40	26	150	200	90
PVE2	50	50	38	150	220	90

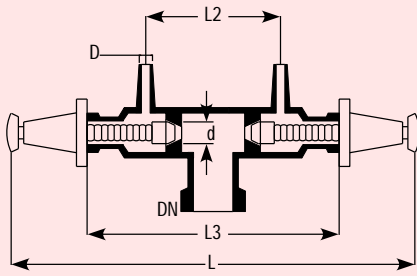


VENT VALVES

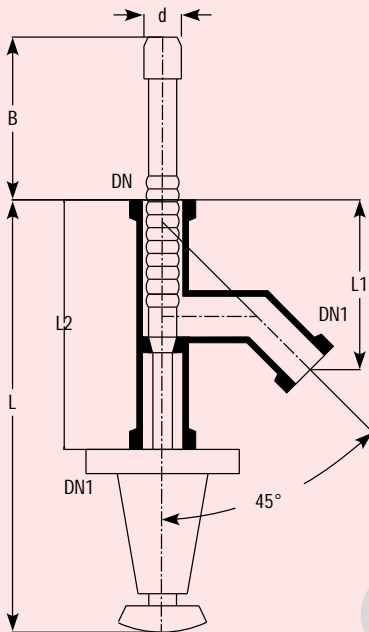
Cat.Ref.	DN	D	d	L	L1
PVV0.7	15	11	10	125	-
PVV1	25	11	10	150	85
PVV1.5	40	11	10	150	95



VENT / VACUUM VALVES



Cat.Ref.	DN	D	d	L	L1	L2	L3
PVW 1/0.7	25	12	10	280	55	85	160
PVW 1.5/0.7	40	12	10	280	65	85	160



BOTTOM OUTLET VALVES

These valves prevent the accumulation of solids or liquid in the bottom outlet of a vessel. This valve can be incorporated in any spherical or cylindrical vessel.

Cat.Ref.	DN	DN1	DN2	d	L	L1	L2	B
BAL1	25	25	25	18	260	105	150	190
BAL1.5	40	25	25	26	260	105	150	190
BAL2	50	40	25	38	260	105	150	190